

## MS5541-30C (RoHS\*) MINIATURE 30 bar MODULE



- 0 – 30 bar absolute pressure range
- 6 coefficients for a software compensation stored on-chip
- Piezoresistive silicon micromachined sensor
- Integrated pressure sensor 6.2x6.4 mm
- 16 Bit ADC
- 3-wire serial interface
- 1 system clock line (32.768 kHz)
- Low voltage and low power consumption
- RoHS-compatible & Pb-free\*

### DESCRIPTION

The MS5541-30C is the high-pressure version of MS5541C pressure sensor module. It contains a precision piezoresistive pressure sensor and an improved version of the 16 Bit Micropower Sensor interface IC known from the MS5535C. The ESD sensitivity has been improved to 4kV on all pins. In addition to this the MS5541-30C is from its outer dimensions compatible to the MS54xx series of pressure sensors. It uses an antimagnetic polished stainless steel ring for sealing with O-ring. The sensor provides 16 Bit pressure and temperature data via a 3 wire serial interface that can be easily interfaced with 4 Bit low power microcontrollers. 64 Bit of factory programmed PROM provides calibration data for a highly accurate pressure and temperature calculation.

### FEATURES

- Resolution 3.0 mbar
- Supply voltage 2.2 V to 3.6 V
- Operating current < 5uA
- Standby current < 0.1uA
- -40°C to +85°C
- No external components required

### APPLICATIONS

- Diving computers and divers watches
- Mobile water depth measurement systems

### BLOCK DIAGRAM

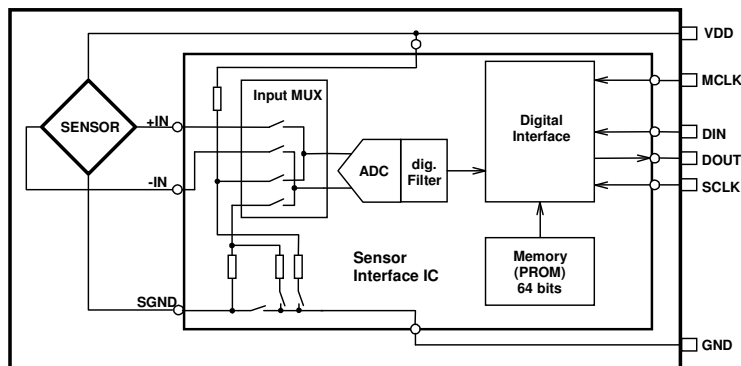


Fig.: 1 Block Diagram MS5541-30C

深圳市新世联科技有限公司

## PIN CONFIGURATION

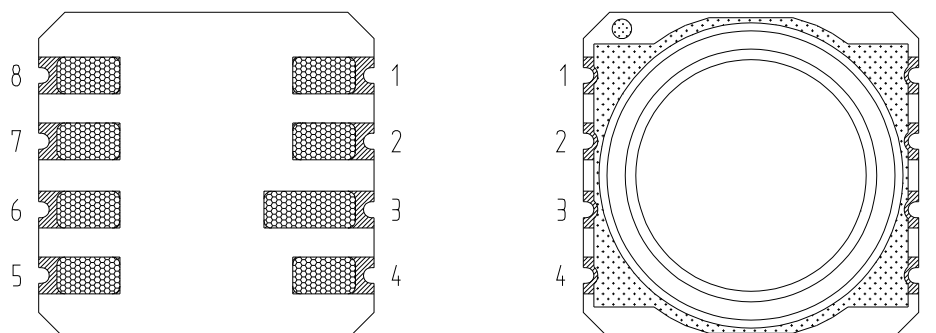


Fig. 2: Pin configuration of MS5541-30C

| Pin Name | Pin | Type | Function                                      |
|----------|-----|------|-----------------------------------------------|
| SCLK     | 1   | I    | Serial data clock                             |
| VSS      | 2   | G    | Ground                                        |
| PV (1)   | 3   | N    | Negative programming voltage (do not connect) |
| PEN (1)  | 4   | I    | Programming enable (do not connect)           |
| VDD      | 5   | P    | Positive supply voltage                       |
| MCLK     | 6   | I    | Master clock (32.768kHz)                      |
| DIN      | 7   | I    | Serial data input                             |
| DOUT     | 8   | O    | Serial data output                            |

### NOTE

- 1) Pins 3 (PV) and 4 (PEN) are only used by the manufacturer for calibration purposes and should not be connected.

## ABSOLUTE MAXIMUM RATINGS

| Parameter           | Symbol         | Conditions | Min  | Max | Unit | Notes |
|---------------------|----------------|------------|------|-----|------|-------|
| Supply Voltage      | VDD            | Ta = 25 °C | -0.3 | 4   | V    |       |
| Storage Temperature | T <sub>S</sub> |            | -40  | +85 | °C   | 1     |
| Overpressure        | P              | Ta = 25 °C |      | 50  | bar  |       |

### NOTES

- 1) Storage and operation in an environment of dry and non-corrosive gases.

深圳市新世联科技有限公司

## RECOMMENDED OPERATING CONDITIONS

(T=25 °C, VDD=3.0V unless noted otherwise)

| Parameter                                                                          | Symbol                            | Conditions       | Min   | Typ    | Max   | Unit                     |
|------------------------------------------------------------------------------------|-----------------------------------|------------------|-------|--------|-------|--------------------------|
| Operating pressure range                                                           | p                                 |                  | 0     |        | 30    | bar                      |
| Supply voltage                                                                     | VDD                               |                  | 2.2   | 3.0    | 3.6   | V                        |
| Supply current,<br>Average (1)<br>during conversion (2)<br>standby (no conversion) | $I_{avg}$<br>$I_{SC}$<br>$I_{SS}$ | $V_{DD} = 3.0 V$ |       | 4<br>1 |       | $\mu A$<br>mA<br>$\mu A$ |
| Current consumption into<br>MCLK (3)                                               |                                   | MCLK=32768Hz     |       |        | 0.5   | $\mu A$                  |
| Operating temperature<br>Range                                                     | $T_a$                             |                  | -40   | +25    | +85   | °C                       |
| Conversion time (16 Bit)                                                           | $T_{conv}$                        | MCLK=32768Hz     |       |        | 35    | ms                       |
| External clock signal (4)                                                          | MCLK                              |                  | 30000 | 32768  | 35000 | Hz                       |
| Duty cycle of MCLK                                                                 |                                   |                  | 40/60 | 50/50  | 60/40 | %                        |
| Serial data clock                                                                  | SCLK                              |                  |       |        | 500   | kHz                      |

### NOTES

- 1) Under the assumption of one conversion every second. Conversion means either a pressure or a temperature measurement started by a command to the serial interface of MS5541-30C.
- 2) During conversion the sensor will be switched on and off in order to reduce power consumption; the total on time within a conversion is about 2ms.
- 3) This value can be reduced by switching off MCLK while MS5541-30C is in standby mode.
- 4) It is strongly recommended that a crystal oscillator be used because the device is sensitive to clock jitter. A square-wave form of the clock signal is a must.

深圳市新世联科技有限公司

## ELECTRICAL CHARACTERISTICS

### DIGITAL INPUTS

(T = -40°C .. 85°C, V<sub>DD</sub> = 2.2 V .. 3.6 V)

| Parameter          | Symbol          | Conditions | Min     | Typ | Max      | Unit |
|--------------------|-----------------|------------|---------|-----|----------|------|
| Input High Voltage | V <sub>IH</sub> |            | 80% VDD |     | 100% VDD | V    |
| Input Low Voltage  | V <sub>IL</sub> |            | 0% VDD  |     | 20% VDD  | V    |
| Signal Rise Time   | t <sub>R</sub>  |            |         | 200 |          | ns   |
| Signal Fall Time   | t <sub>f</sub>  |            |         | 200 |          | ns   |

### DIGITAL OUTPUTS

(T=-40°C .. 85°C, V<sub>DD</sub> = 2.2V..3.6V)

| Parameter           | Symbol          | Conditions                   | Min     | Typ | Max      | Unit |
|---------------------|-----------------|------------------------------|---------|-----|----------|------|
| Output High Voltage | V <sub>OH</sub> | I <sub>Source</sub> = 0.6 mA | 80% VDD |     | 100% VDD | V    |
| Output Low Voltage  | V <sub>OL</sub> | I <sub>Sink</sub> = 0.6 mA   | 0% VDD  |     | 20% VDD  | V    |
| Signal Rise Time    | t <sub>r</sub>  |                              |         | 200 |          | ns   |
| Signal Fall Time    | t <sub>f</sub>  |                              |         | 200 |          | ns   |

### AD-CONVERTER

(T=25°C, V<sub>DD</sub> =3.0V)

| Parameter       | Symbol | Conditions          | Min  | Typ | Max   | Unit |
|-----------------|--------|---------------------|------|-----|-------|------|
| Resolution      |        |                     |      | 16  |       | Bit  |
| Linear Range    |        |                     | 4000 |     | 40000 | LSB  |
| Conversion Time |        | MCLK=32768Hz        |      |     | 35    | ms   |
| INL             |        | within linear Range | -5   |     | 5     | LSB  |

深圳市新世联科技有限公司

## PRESSURE OUTPUT CHARACTERISTICS

With the calibration data stored in the interface IC of the MS5541-30C the following characteristics can be achieved:

(VDD = 3.0 V unless noted otherwise)

| Parameter                                                       | Conditions                   | Min  | Typ | Max  | Unit | Note |
|-----------------------------------------------------------------|------------------------------|------|-----|------|------|------|
| Resolution                                                      |                              |      | 3.0 |      | mbar | 1    |
| Absolute Pressure Accuracy<br>(Temperature range 0 .. +40 °C)   | p = 0 .. 10bar               | -50  |     | +50  | mbar | 2    |
|                                                                 | p = 0 .. 20bar               | -100 |     | +50  | mbar |      |
|                                                                 | p = 0 .. 30bar               | -250 |     | +50  | mbar |      |
| Absolute Pressure Accuracy<br>(Temperature range -40 .. +85 °C) | p = 0 .. 10bar               | -100 |     | +250 | mbar | 3    |
|                                                                 | p = 0 .. 20bar               | -150 |     | +450 | mbar |      |
|                                                                 | p = 0 .. 30bar               | -400 |     | +500 | mbar |      |
| Error over Temperature<br>(p = const. relative to 20°C)         | T <sub>a</sub> = -40...+85°C | -25  |     | +250 | mbar |      |
| Long-term Stability                                             | 6 months                     |      | 50  |      | mbar | 4    |
| Maximum Error over Supply Voltage                               | VDD = 2.2...3.6V             | -40  |     | +40  | mbar |      |

### NOTES

- 1) A stable pressure reading of the given resolution requires taking the average of 2 to 4 subsequent pressure values due to noise of the ADC.
- 2) Maximum error of pressure reading over the pressure range.
- 3) With the second-order temperature compensation as described in Section "FUNCTION". See next section for typical operating curves.
- 4) The long-term stability is measured with non-soldered devices

## TEMPERATURE OUTPUT CHARACTERISTICS

This temperature information is not required for most applications, but it is necessary to allow for temperature compensation of the pressure output. The reference temperature is 20°C.

| Parameter                         | Conditions                   | Min   | Typ | Max   | Unit | Note |
|-----------------------------------|------------------------------|-------|-----|-------|------|------|
| Resolution                        |                              | 0.005 |     | 0.015 | °C   |      |
| Accuracy                          | T <sub>a</sub> = 20°C        | -0.8  |     | 0.8   | °C   |      |
|                                   | T <sub>a</sub> = -40...+85°C | -2    |     | +6    | °C   | 1    |
| Maximum Error over Supply Voltage | VDD = 2.2...3.6V             | -0.2  |     | 0.2   | °C   |      |

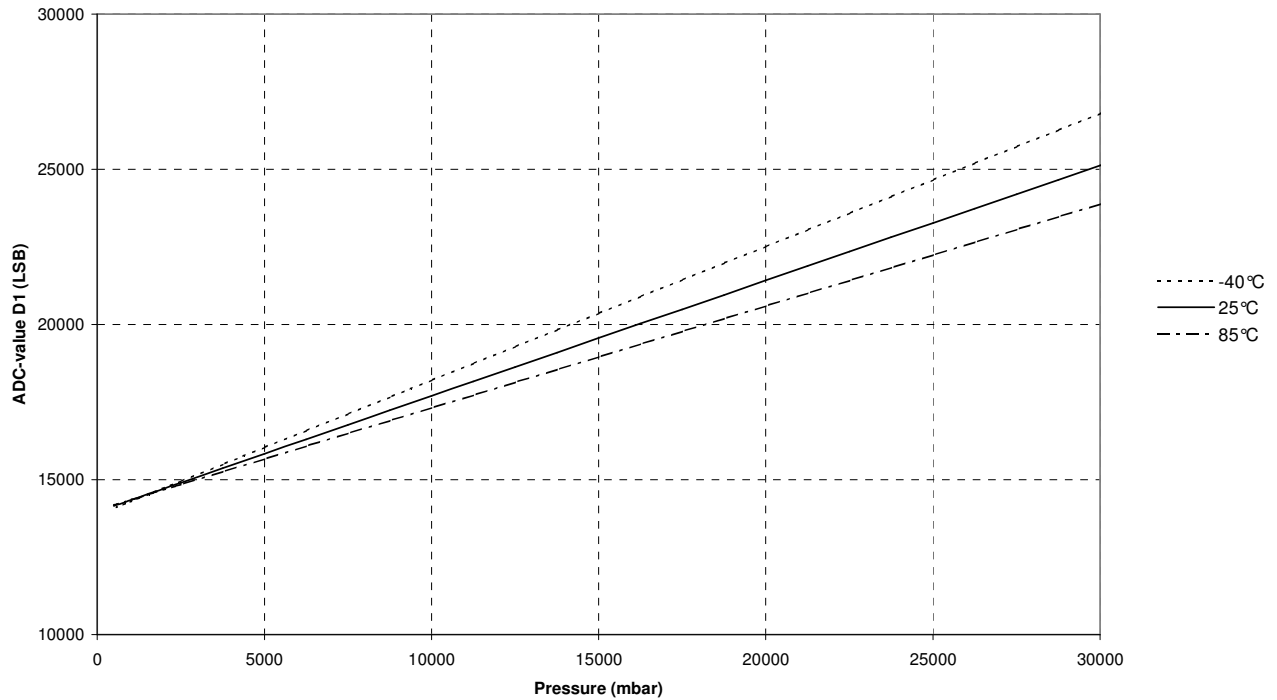
### NOTE

- 1) With the second-order temperature compensation as described in Section "FUNCTION". See next section for typical operating curves.

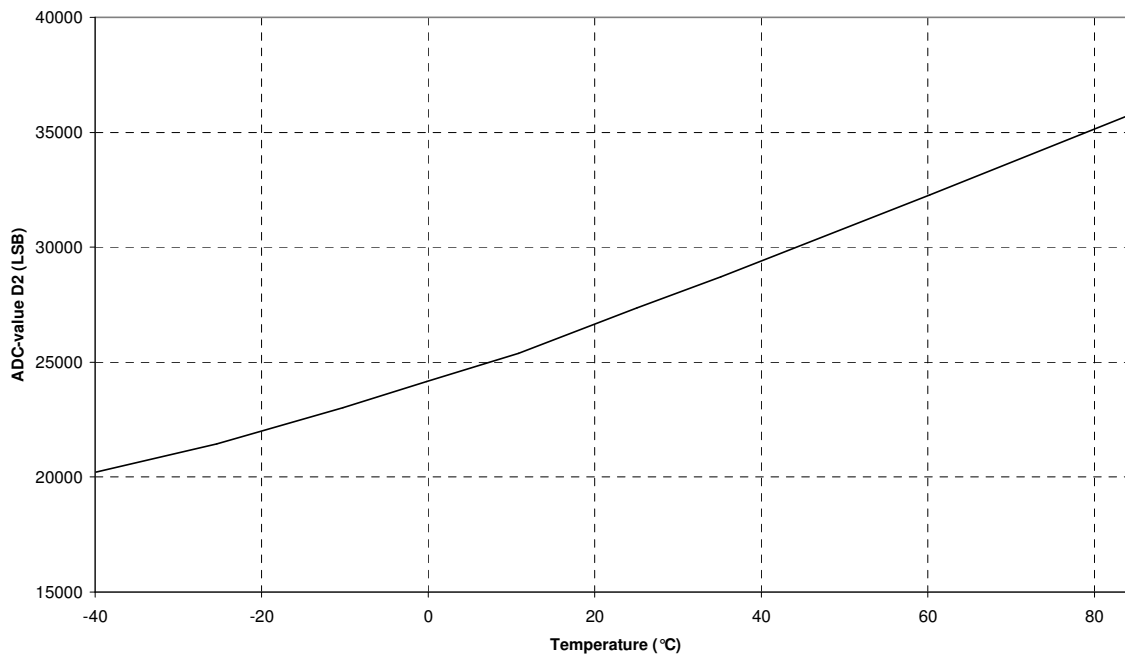
深圳市新世联科技有限公司

## TYPICAL PERFORMANCE CURVES

ADC-value D1 vs Pressure (typical)

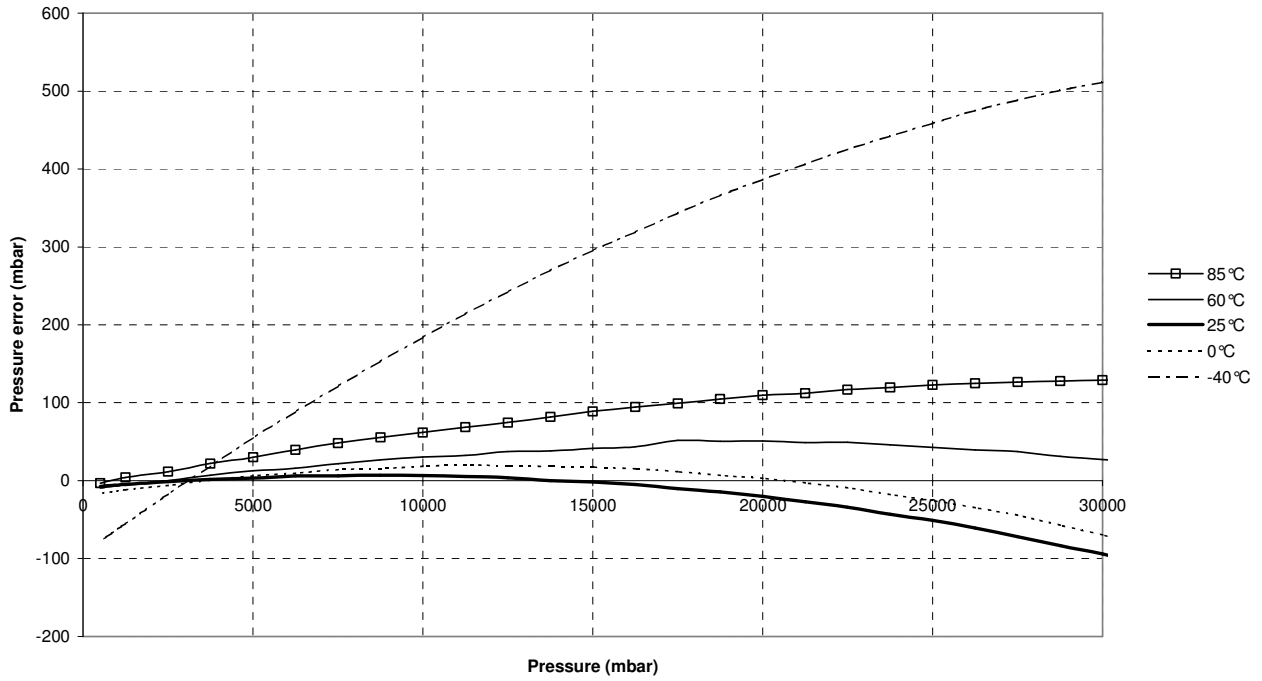


ADC-value D2 vs Temperature (typical)

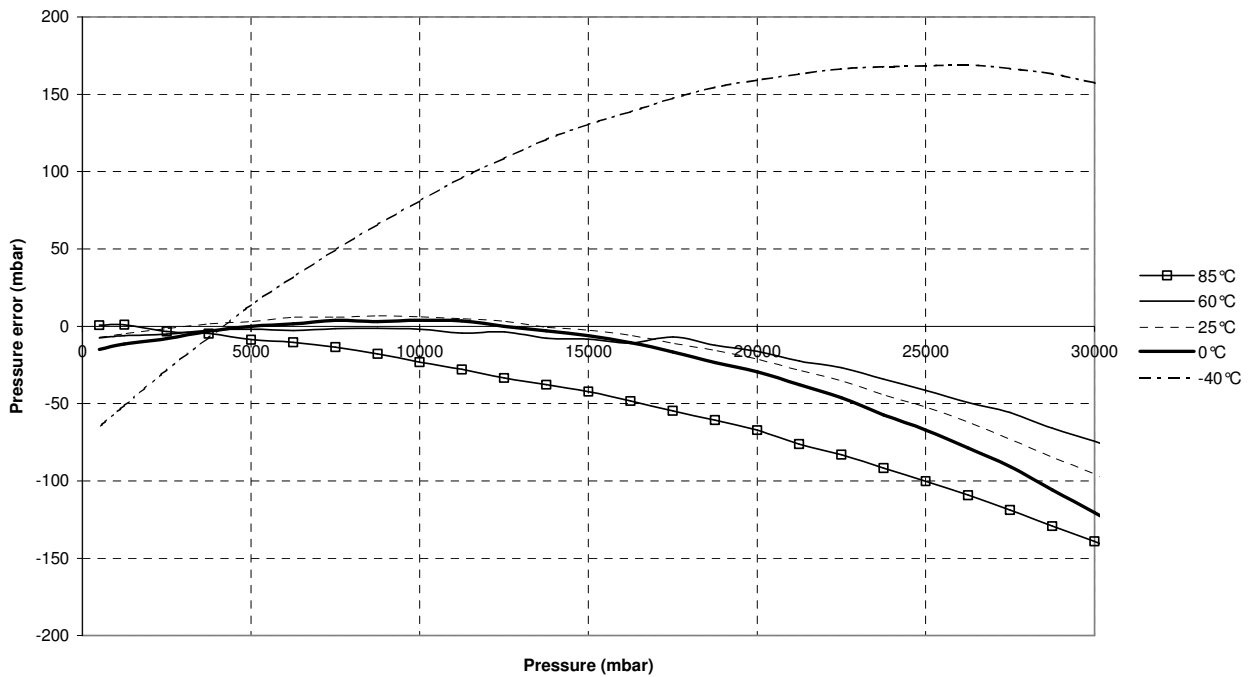


深圳市新世联科技有限公司

Absolute Pressure Accuracy after Calibration, 1st order compensation

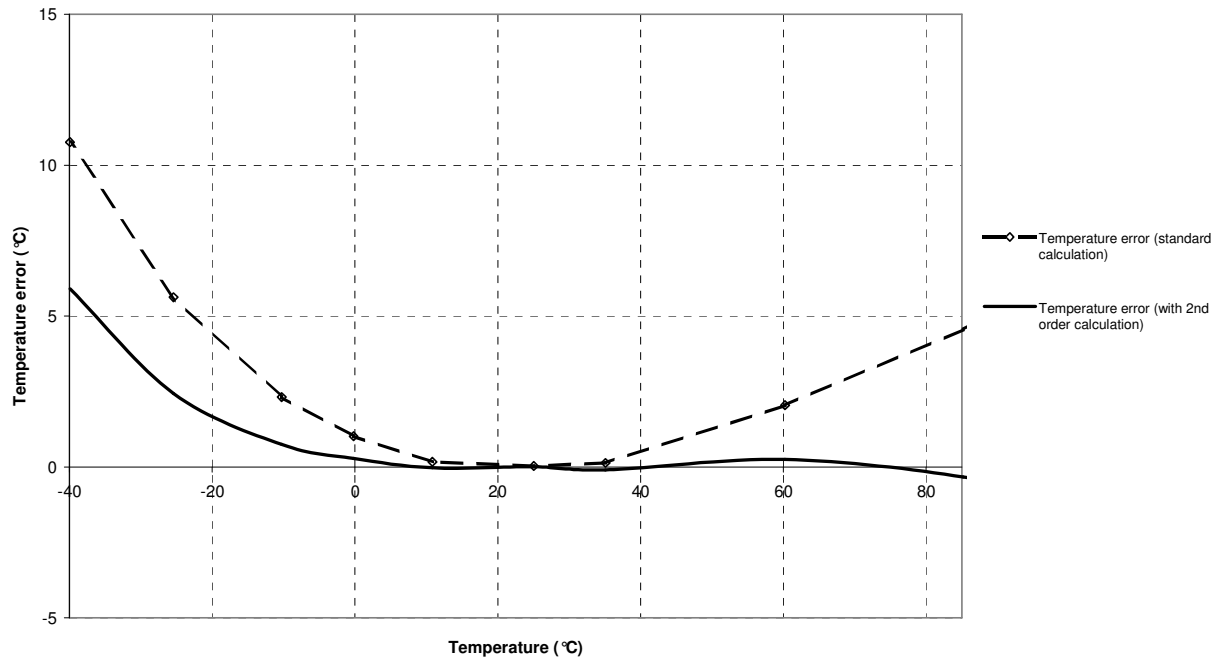


Absolute Pressure Accuracy after Calibration, 2nd order compensation

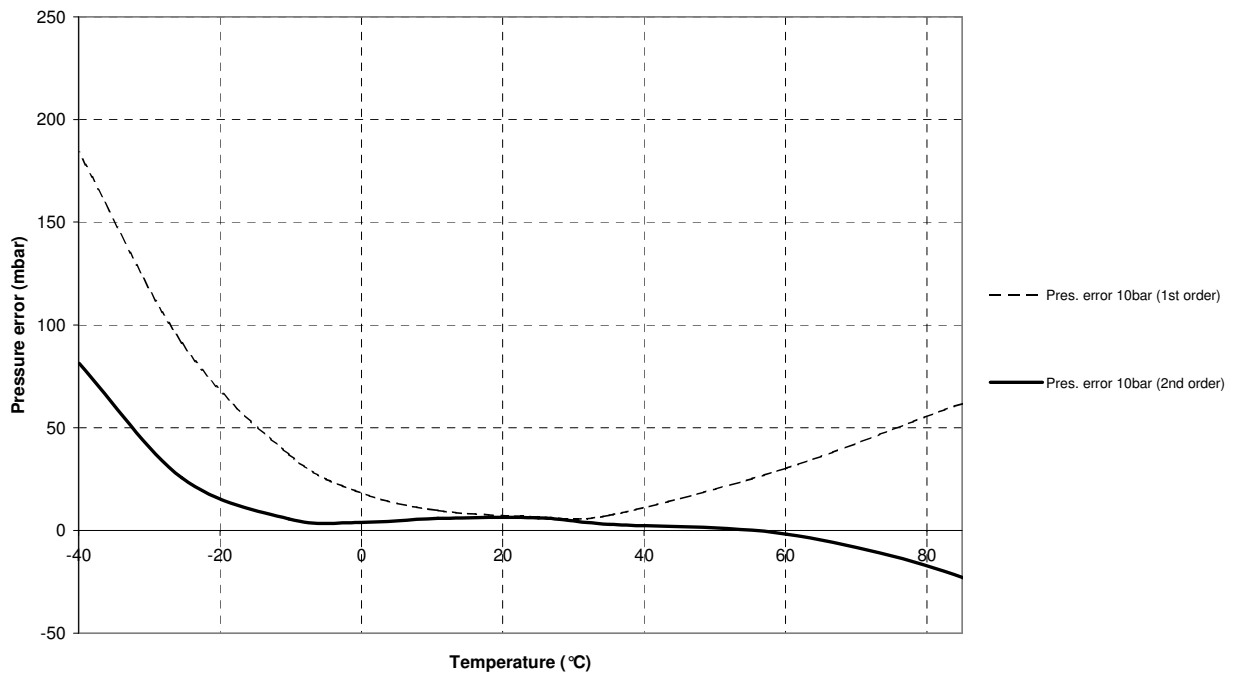


深圳市新世联科技有限公司

Temperature Error Accuracy vs temperature (typical)



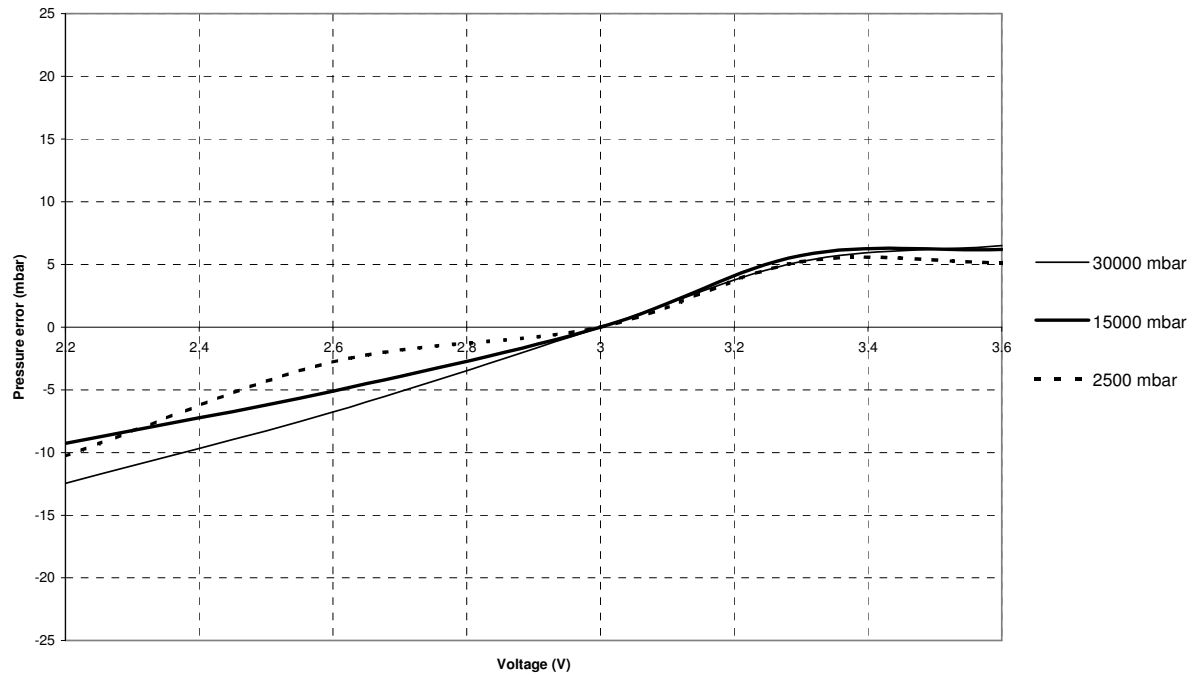
Pressure Error Accuracy vs temperature (typical)



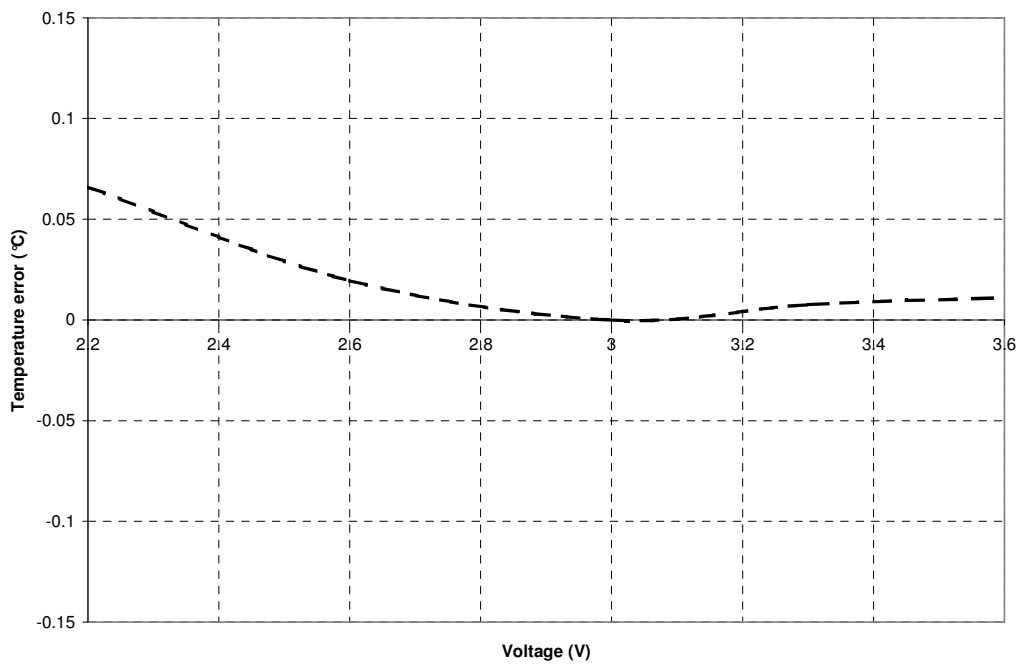
深圳市新世联科技有限公司



Pressure error vs supply voltage (typical)



Temperature error vs supply voltage (typical)



深圳市新世联科技有限公司

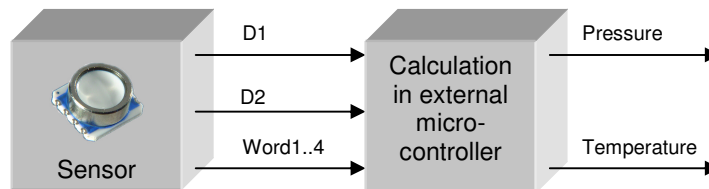
## FUNCTION

### GENERAL

The MS5541-30C consists of a piezoresistive sensor and a sensor interface IC. The main function of the MS5541-30C is to convert the uncompensated analog output voltage from the piezoresistive pressure sensor into a 16-Bit digital value, as well as providing a 16-Bit digital value for the temperature of the sensor.

- measured pressure (16-Bit) "D1"
- measured temperature (16-Bit) "D2"

As the output voltage of a pressure sensor is strongly dependent on temperature and process tolerances, it is necessary to compensate for these effects. This compensation procedure must be performed by software using an external microcontroller.



For both pressure and temperature measurement the same ADC is used (sigma delta converter):

- for the pressure measurement, the differential output voltage from the pressure sensor is converted
- for the temperature measurement, the sensor bridge resistor is sensed and converted

During both measurements the sensor will only be switched on for a very short time in order to reduce power consumption. As both, the bridge bias and the reference voltage for the ADC are derived from VDD, the digital output data is independent of the supply voltage.

### FACTORY CALIBRATION

Every module is individually factory calibrated at two temperatures and two pressures. As a result, 6 coefficients necessary to compensate for process variations and temperature variations are calculated and stored in the 64-Bit PROM of each module. These 64-Bit (partitioned into four words of 16-Bit) must be read by the microcontroller software and used in the program converting D1 and D2 into compensated pressure and temperature values.

### PRESSURE AND TEMPERATURE MEASUREMENT

The sequence of reading pressure and temperature as well as of performing the software compensation is depicted in flow chart, Fig. 3 and Fig. 5.

First the WORD1 to WORD4 have to be read through the serial interface. This can be done once after reset of the microcontroller that interfaces to the MS5541-30C. Next the compensation coefficients C1 to C6 are extracted using Bit-wise logical- and shift-operations (refer to Fig. 4 for the Bit-pattern of word 1 to word 4).

For the pressure measurement the microcontroller has to read the 16 Bit values for pressure (D1) and temperature (D2) via the serial interface in a loop (for instance every second). Then, the compensated pressure is calculated out of D1, D2 and C1 to C6 according to the algorithm in Fig. 3 (possibly using quadratic temperature compensation according to Fig. 5). All calculations can be performed with signed 16-Bit variables. Results of multiplications may be up to 32-Bit long (+sign). In the flow according to Fig. 3 each multiplication is followed by a division. This division can be performed by Bit-wise shifting (divisors are to the power of 2). It is ensured that the results of these divisions are less than 65536 (16-Bit).

For the timing of signals to read out WORD1 to WORD4, D1, and D2 please refer to the paragraph "Serial Interface".

深圳市新世联科技有限公司

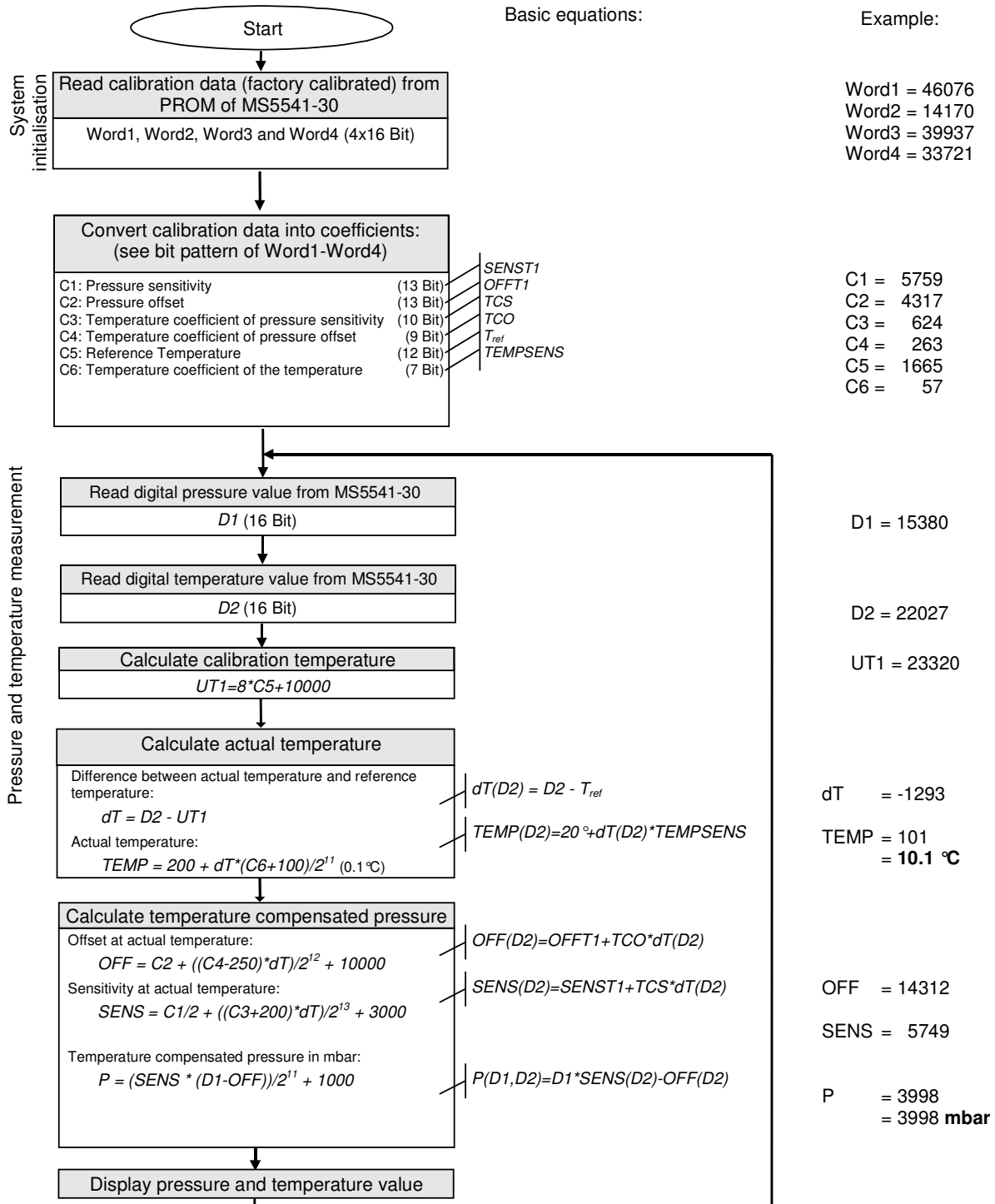


Fig. 3: Flow chart for pressure/temperature reading and software compensation.

## NOTES

- 1) Readings of D2 can be done less frequently, but the display will be less stable in this case
- 2) For a stable display of 1 mbar resolution, it is recommended to display the average of 4 to 8 subsequent pressure values.

深圳市新世联科技有限公司

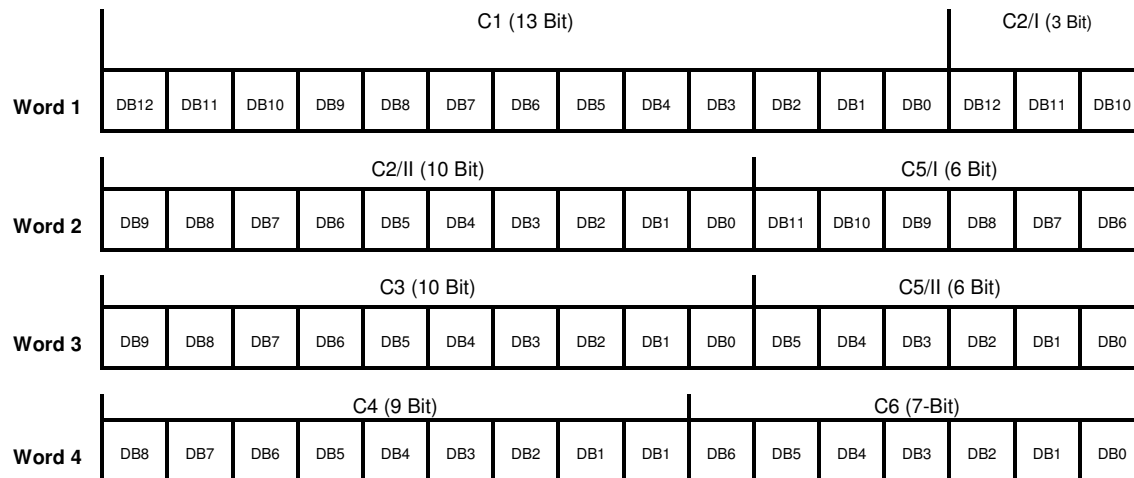


Fig. 4: Arrangement (Bit-pattern) of calibration data in Word1 to Word4.

## SECOND-ORDER TEMPERATURE COMPENSATION

In order to obtain full temperature accuracy over the whole temperature range, it is recommended to compensate for the non-linearity of the output of the temperature sensor. This can be achieved by correcting the calculated temperature and pressure by a second order correction factor. The second-order factors are calculated as follows:

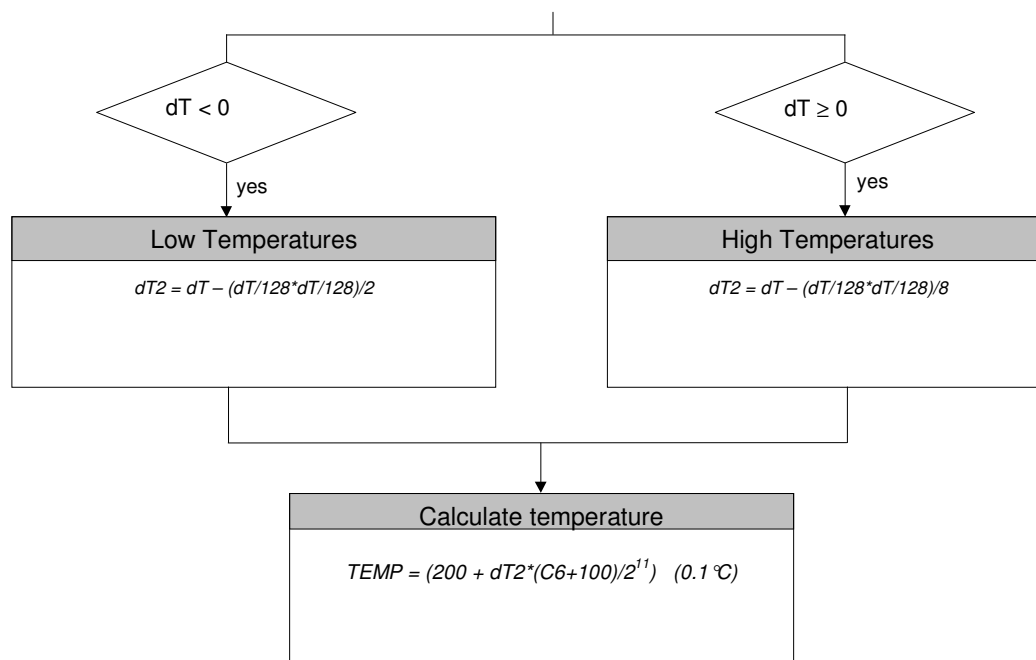


Fig. 5: Flow chart for calculating the temperature and pressure to the optimum accuracy.

深圳市新世联科技有限公司

## SERIAL INTERFACE

The MS5541-30C communicates with microprocessors and other digital systems via a 3-wire synchronous serial interface as shown in Fig. 1. The SCLK (Serial Clock) signal initiates the communication and synchronizes the data transfer with each Bit being sampled by the MS5541-30C on the rising edge of SCLK and each Bit being sent by the MS5541-30C on the rising edge of SCLK. The data should thus be sampled by the microcontroller on the falling edge of SCLK and sent to the MS5541-30C with the falling edge of SCLK. The SCLK-signal is generated by the microprocessor's system. The digital data provided by the MS5541-30C on the DOUT pin is either the conversion result or the software calibration data. In addition the signal DOUT (Data Out) is also used to indicate the conversion status (conversion-ready signal, see below). The selection of the output data is done by sending the corresponding instruction on the pin DIN (Data Input).

Following is a list of possible output data instructions:

- Conversion start for pressure measurement and ADC-data-out "D1" (Figure 6a)
- Conversion start for temperature measurement and ADC-data-out "D2" (Figure 6b)
- Calibration data read-out sequence for word 1 (Figure 6c)
- Calibration data read-out sequence for word 2 (Figure 6d)
- Calibration data read-out sequence for word 3 (Figure 6c)
- Calibration data read-out sequence for word 4 (Figure 6d)
- RESET sequence (Figure 6e)

Every communication starts with an instruction sequence at pin DIN. Fig. 6 shows the timing diagrams for the MS5541-30C. The device does not need a 'Chip select' signal. Instead there is a Start Sequence (3-Bit high) before each Setup Sequence and Stop Sequence (3-Bit low) after each Setup Sequence. The Setup Sequence consists in 4-Bit that select a reading of pressure, temperature or calibration data. In case of pressure- (D1) or temperature- (D2) reading the module acknowledges the start of a conversion by a low to high transition at pin DOUT.

Two additional clocks at SCLK are required after the acknowledge signal. Then SCLK is to be held low by the microcontroller until a high to low transition on DOUT indicates the end of the conversion.

This signal can be used to create an interrupt in the microcontroller. The microcontroller may now read out the 16-Bit word by giving another 17 clocks on the SCLK pin. It is possible to interrupt the data read-out sequence with a hold of the SCLK signal.

**It is important to always read out the last conversion result before starting a new conversion.**

The RESET-sequence is special as its unique pattern is recognized by the module in any state. By consequence it can be used to restart if synchronization between the microcontroller and the MS5541-30C has been lost. This sequence is 21-Bit long. The DOUT signal might change during that sequence (see Fig. 6e). It is recommended to send the RESET sequence before first CONVERSION sequence to avoid hanging up the protocol permanently in case of electrical interference.

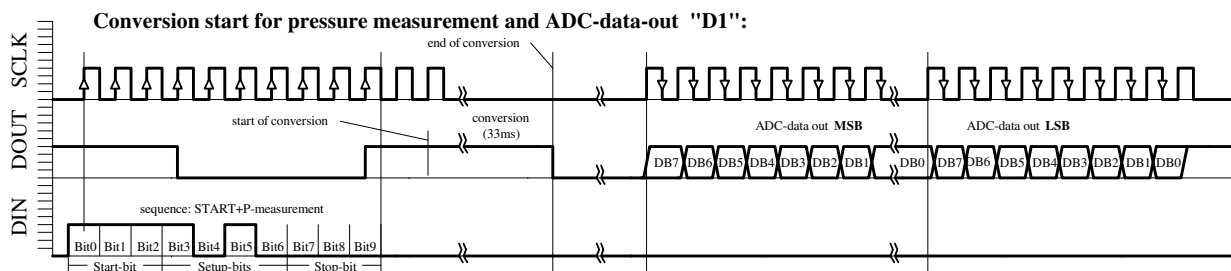


Fig. 6a: D1 acquisition sequence

深圳市新世联科技有限公司

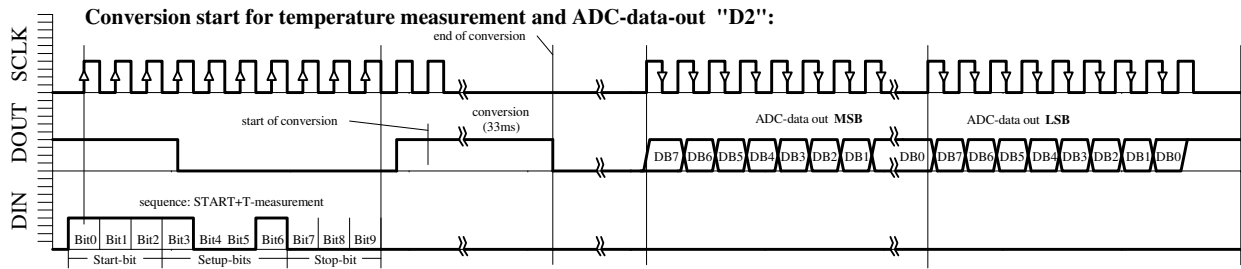


Fig. 6b: D2 acquisition sequence

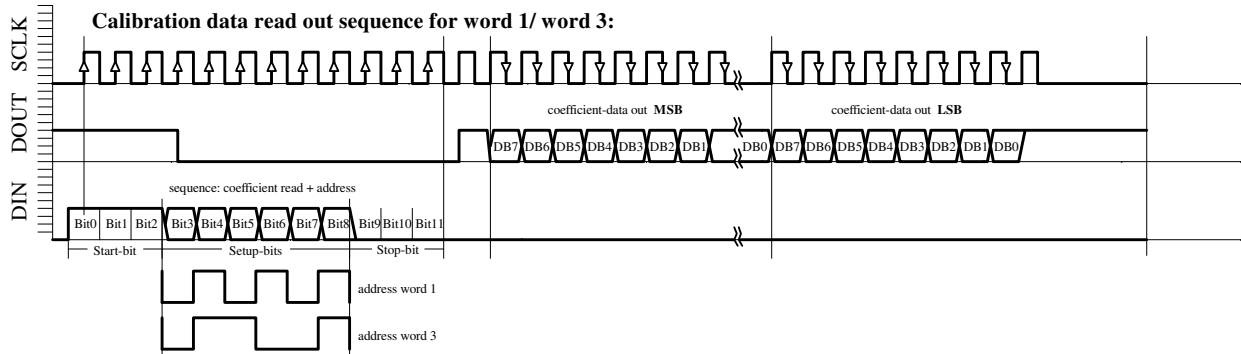


Fig. 6c: W1, W3 reading sequence

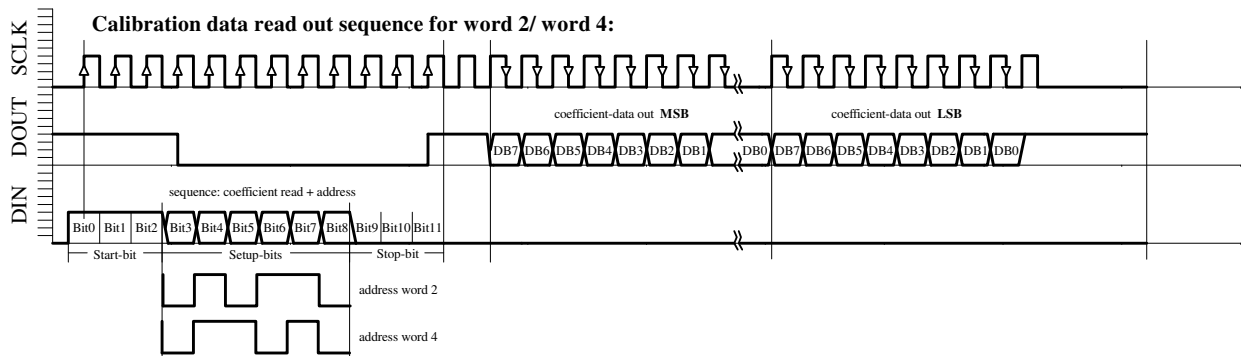


Fig. 6d: W2, W4 reading sequence

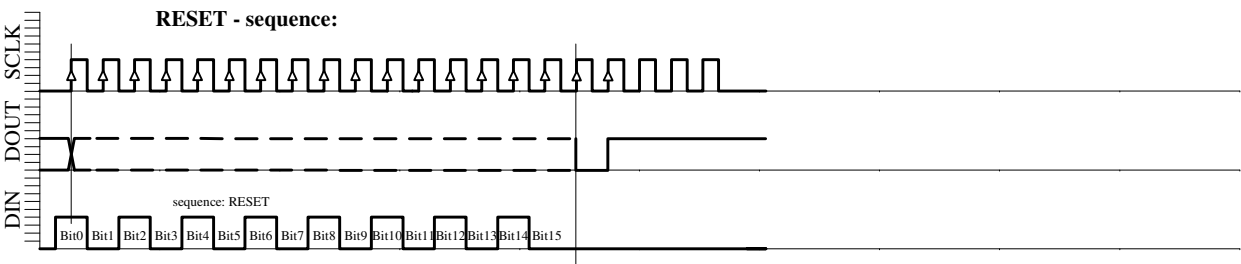


Fig. 6e: Reset sequence (21-Bit)

---

## APPLICATION INFORMATION

---

### GENERAL

The advantage for this combination of a sensor with a directly adapted integrated circuit is to save other external components and to achieve very low power consumption. The main application field for this system includes portable devices with battery supply, but its high accuracy and resolution make it also suited for industrial and automotive applications. The possibility to compensate the sensor with software allows the user to adapt it to his particular application. Communication between the MS5541-30C and the widely available microcontrollers is realised over an easy-to-use 3-wire serial interface. Customers may select which microcontroller system to be used, and there are no specific standard interface cells required, which may be of interest for specially designed 4 Bit-microcontroller applications.

### CALIBRATION

The MS5541-30C is factory calibrated. The calibration data is stored inside the 64 Bit PROM memory.

### SOLDERING

Please refer to the application note AN808 for all soldering issues.

### HUMIDITY, WATER PROTECTION

The silicon pressure transducer and the bonding wires are protected by an anticorrosive and antimagnetic protection cap. The MS5541-30C carries a metal protection cap filled with silicone gel for enhanced protection against humidity. The properties of this gel ensure function of the sensor even when in direct water contact. This feature can be useful for waterproof watches or other applications, where direct water contact cannot be avoided. Nevertheless the user should avoid drying of hard materials like for example salt particles on the silicone gel surface. In this case it is better to rinse with clean water afterwards. Special care has to be taken to not mechanically damage the gel. Damaged gel could lead to air entrapment and consequently to unstable sensor signal, especially if the damage is close to the sensor surface.

The metal protection cap is fabricated of special anticorrosive and antimagnetic stainless steel in order to avoid any corrosive battery effects inside the final product.

For underwater operations it is important to seal the sensor with a rubber O-Ring around the metal Ring. Any salt water coming to the contact side (ceramic and Pads) of the sensor could lead to permanent damage.

### LIGHT SENSITIVITY

The standard version of MS5541-30C is protected against sunlight by a layer of white gel. It is, however, important to note that the sensor may still be slightly sensitive to sunlight, especially to infrared light sources. This is due to the strong photo effect of silicon. As the effect is reversible there will be no damage, but the user has to take care that in the final product the sensor cannot be exposed to direct light during operation. This can be achieved for instance by placing mechanical parts with holes in such that light cannot pass.

### CONNECTION TO PCB

For "under water" devices it is necessary to provide a stable mechanical pusher from the backside of the sensor. Otherwise the overpressure might push the sensor backwards and even bend the electronic board on which the sensor is mounted. For applications subjected to mechanical shock, it is recommended to enhance the mechanical reliability of the solder junctions by covering the rim or the corners of MS5541-30C's ceramic substrate with glue or Globtop like material.

### DECOUPLING CAPACITOR

Particular care must be taken when connecting the device to power supply: A 47 $\mu$ F tantalum capacitor **must** be placed as close as possible of the MS5541-30C's VDD pin. This capacitor will stabilize the power supply during data conversion and thus, provide the highest possible accuracy.

**深圳市新世联科技有限公司**

## APPLICATION EXAMPLE: DIVING COMPUTER SYSTEM USING MS5541-30C

MS5541-30C is a circuit that can be used in connection with a microcontroller in diving computer applications. It is designed for low-voltage systems with a supply voltage of 3V, particularly in battery applications. The MS5541-30C is optimised for low current consumption as the AD-converter clock (MCLK) can use the 32.768 kHz frequency of a standard watch crystal, which is supplied in most portable watch systems.

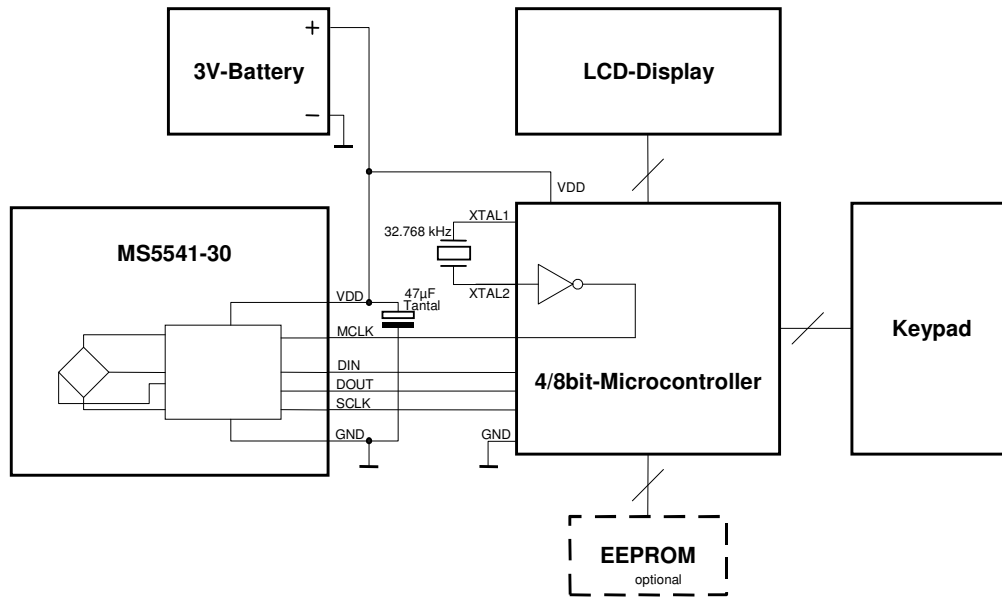


Fig. 7: Demonstration of MS5541-30C in a diving computer

## RECOMMENDED PAD LAYOUT

Pad layout for bottom side of MS5541-30C soldered onto printed circuit board

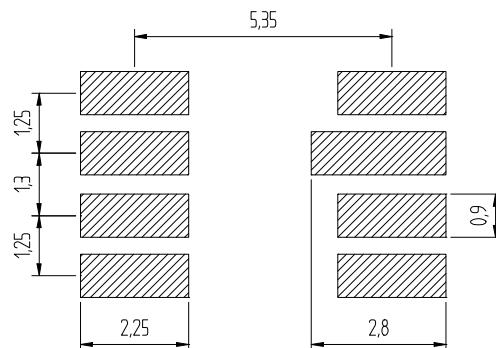


Fig. 8: Pad layout of MS5541-30C

深圳市新世联科技有限公司



## DEVICE PACKAGE OUTLINES

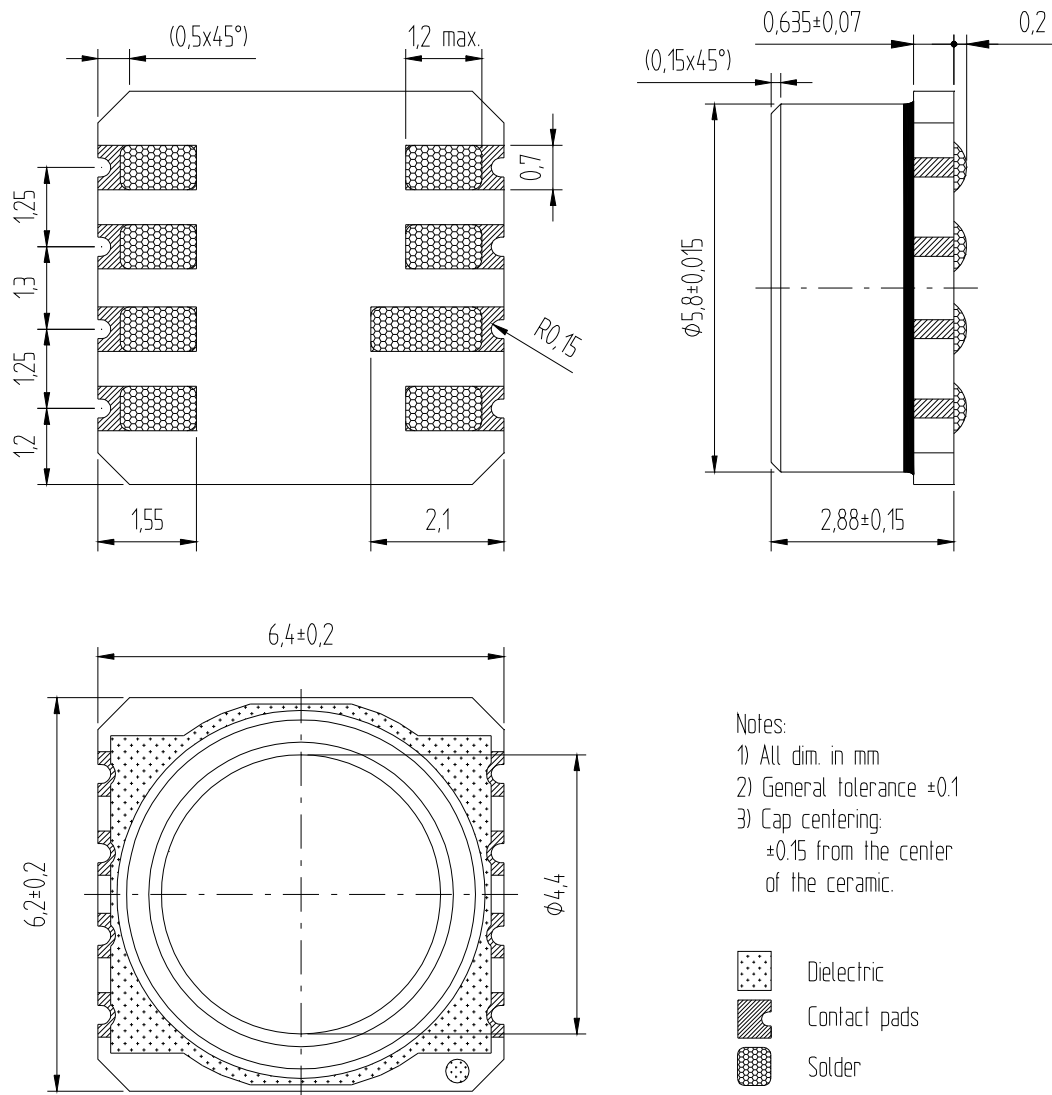


Fig. 9: Device package outlines of **MS5541-30C**

深圳市新世联科技有限公司

---

## ASSEMBLY

---

### MECHANICAL STRESS

It is recommended to avoid mechanical stress on the PCB on which the sensor is mounted. The PCB thickness should be sufficient and does not flex with the increase pressure. To increase the rigidity it is necessary to provide a stable mechanical pusher from the backside of the sensor.

For applications where mechanical stress cannot be avoided (for example ultrasound welding of the case or thin PCB's in diving computer) please fix the sensor with drops of low stress epoxy (for example Hysol FP-4401).

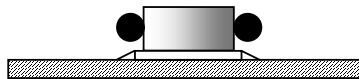
### MOUNTING

The MS5541-30C can be placed with automatic Pick&Place equipment using vacuum nozzles. It will not be damaged by the vacuum. Due to the low stress assembly the sensor does not show pressure hysteresis effects. Special care has to be taken to not touch the protective gel of the sensor during the assembly.

It is important to solder all contact pads. The Pins PEN and PV shall be left open or connected to Vdd. **Do not connect the Pins PEN and PV to GND!**

### SEALING WITH O-RING

In products like diving computers the electronics must be protected against direct water or humidity. For those products the MS5541-30C provides the possibility to seal with an O-ring. The protective cap of the MS5541-30C is made of special anticorrosive stainless steel with a polished surface. In addition to this the MS5541-30C is filled with silicone gel covering the sensor and the bonding wires. The O-ring (or O-rings) shall be placed at the outer diameter of the metal cap. This method avoids mechanical stress because the sensor can move in vertical direction.



### CLEANING

The MS5541-30C has been manufactured under cleanroom conditions. Each device has been inspected for the homogeneity and the cleanness of the silicone gel. It is therefore recommended to assemble the sensor under class 10'000 or better conditions. Should this not be possible, it is recommended to protect the sensor opening during assembly from entering particles and dust. To avoid cleaning of the PCB, solder paste of type "no-clean" shall be used. **Cleaning might damage the sensor!**

### ESD PRECAUTIONS

The electrical contact pads are protected against ESD according to 4 kV HBM (human body model). It is therefore essential to ground machines and personal properly during assembly and handling of the device. The MS5541-30C is shipped in antistatic transport boxes. Any test adapters or production transport boxes used during the assembly of the sensor shall be of an equivalent antistatic material.

深圳市新世联科技有限公司

---

## ORDERING INFORMATION

---

| Product Code | Product                 | Art.-Nr.  | Package                                                                                                                | Comments         |
|--------------|-------------------------|-----------|------------------------------------------------------------------------------------------------------------------------|------------------|
| MS5541-30CM  | Miniature 30 bar module | 325541010 | SMD hybrid with solder paste, anticorrosive and antimagnetic metal protection cap, white silicon gel sensor protection | standard version |

---

深圳市新世联科技有限公司